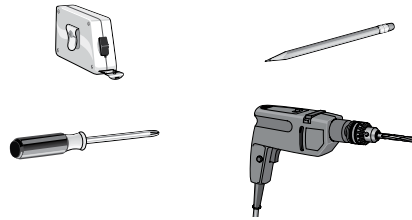


# Motorized Skylight Installation Instructions

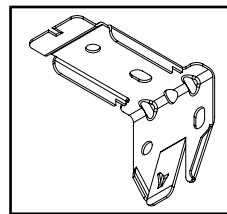
## Getting Started

A few simple tools are required:

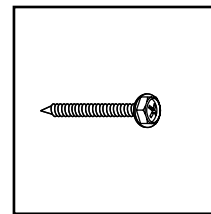
- Measuring tape
- Power drill, drill bits
- Hex head and/or Phillips driver bit
- Pencil



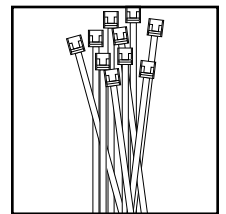
Additional fasteners other than those sent with your shade may be required depending on the mounting surface. Wallboard and plaster require the use of anchors such as expansion or toggle bolts. Brick, tile or stone need special plugs and drill bits. Remember to always pre-drill holes in wood to avoid splitting.



Mounting Brackets



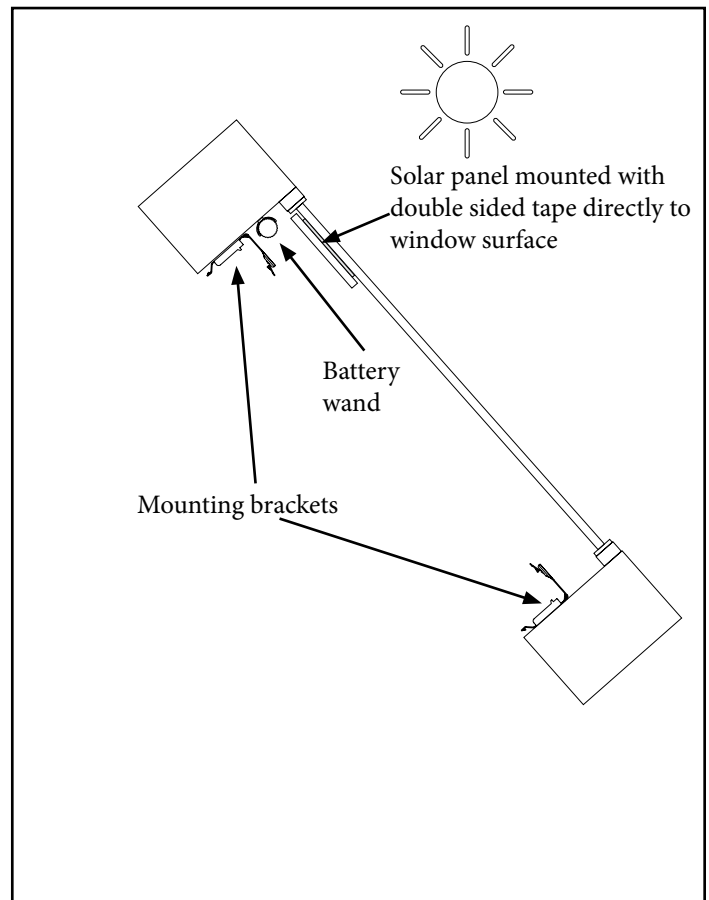
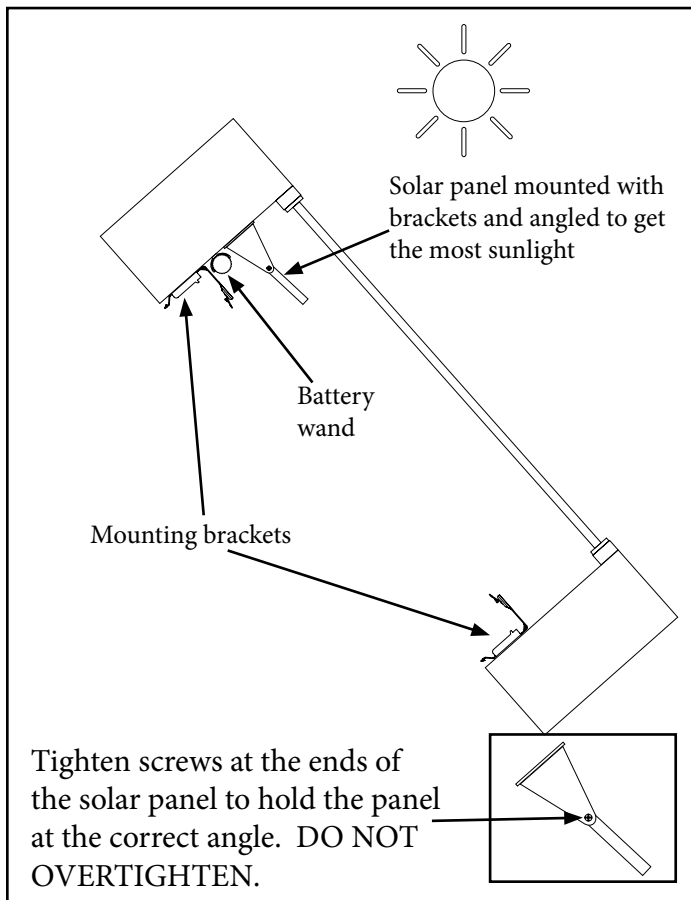
Installation Screws



Cable Ties

## Step 1: Determine Placement of Brackets and Power Source (Solar Panel/Battery Wand)

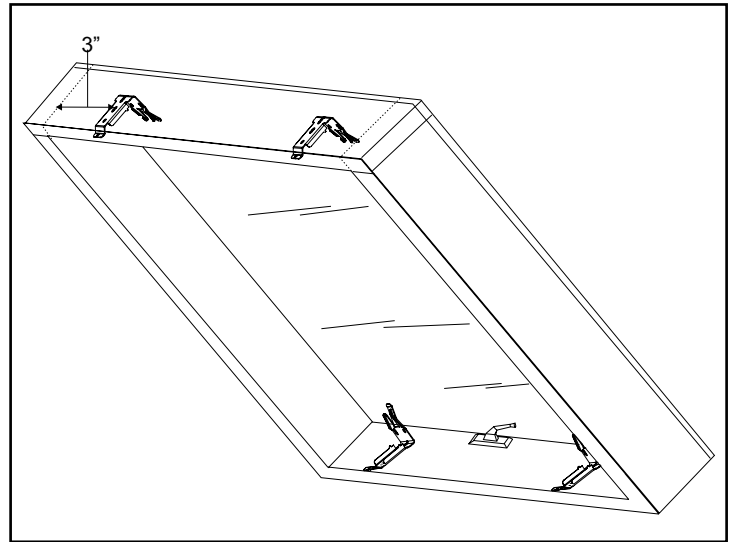
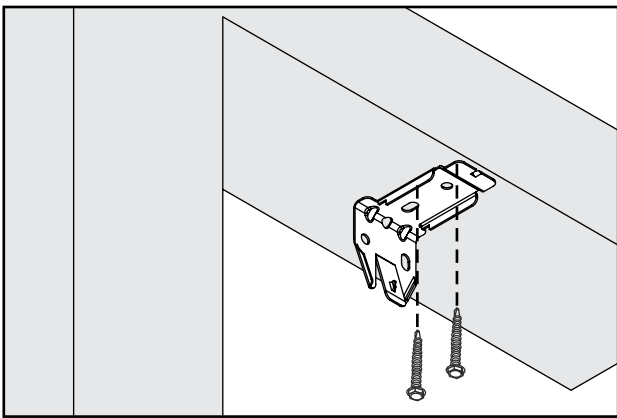
Make sure that the battery wire will be able to reach the motor and/or solar panel plugs.



## Step 2: Bracket Installation

Shades are shipped with the required number of brackets for proper installation. End brackets should be located approximately 3" from either end. Depending on the width of the shade, additional brackets may be necessary, evenly spaced between the two end brackets.

Using the Installation Bracket as a template, measure to the edge of the bracket and mark the hole locations with a pencil for drilling. When mounting brackets, make sure they are in line.



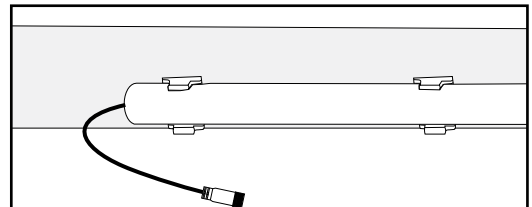
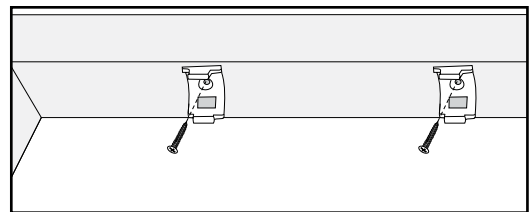
## Step 3: Install Battery Wand (if transformer, skip to step 4)

Battery Wand - attach the wand clips in the desired location, with the screws provided.

Press the wand into the clips.

Note: If battery wand only, be sure battery wire will reach motor plug.

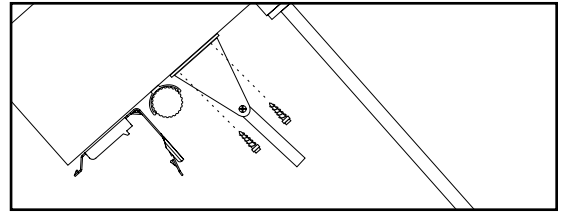
If solar cell recharge, be sure battery wire will reach both the motor plug and the solar cell plug.



### Step 3: Install Solar Panel (if not using solar panel skip to step 4)

#### Bracket Method

Attach the Solar panel brackets to the window casing with the screws provided. Make sure that the panel is positioned to get the maximum amount of sunlight.

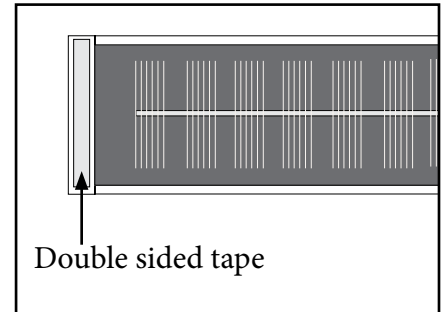


#### Tape Method

Remove the brackets from the end of the solar panel with a phillips head screwdriver.

Clean the plastic endcaps with rubbing alcohol. When dry, remove the release liner from one side of the double sided tape pieces provided and adhere them to the plastic endcaps. Make sure to put the tape on the face (black side) of the panel.

Clean the window surface with rubbing alcohol. When dry, remove the release liners and attach the solar panel to the glass, pressing firmly to adhere.

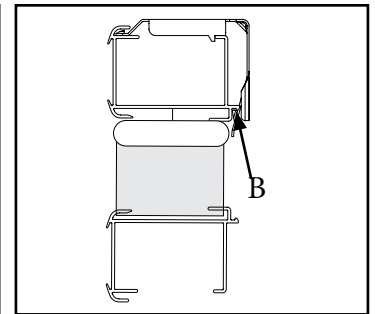
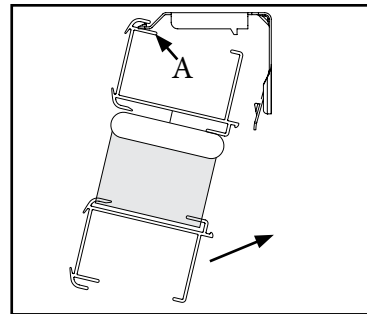


### Step 4: Install Top Rail

Start with the top rail/fabric assembly. The top rail is the rail with the motor in it. Before mounting the headrail make sure that the receiver wire is out of the headrail. For optimal performance position the receiver wire so that it is facing into the room.

Position the motor wire so that it comes out the back side of the shade.

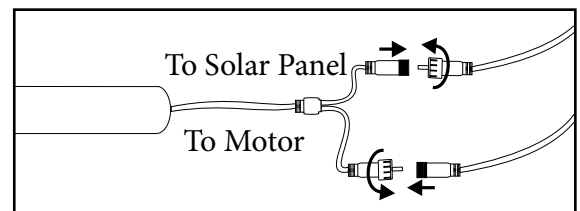
Be sure the motor wire is not pinched by the bracket. Position the rail with the front lip (A) resting on the hooks of all the brackets. Push the rail firmly up and toward the window until the groove on the rail snaps into place, (B) as shown.



### Step 5: Attach Power Source - Battery Wand/Transformer/Solar Panel

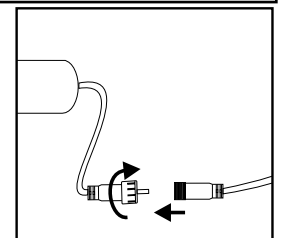
#### **Solar Panel with rechargeable battery wand**

Plug the battery wand wire into the motor wire and the second battery wire into the solar panel wire.



#### **Battery Wand**

Plug the battery wand wire into the motor wire.

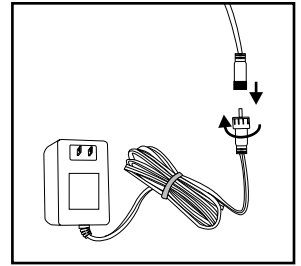


## Transformer

Plug the transformer wire into the motor wire. Secure the wire behind the shade and along the window casing as required.

Plug the transformer into an electrical outlet.

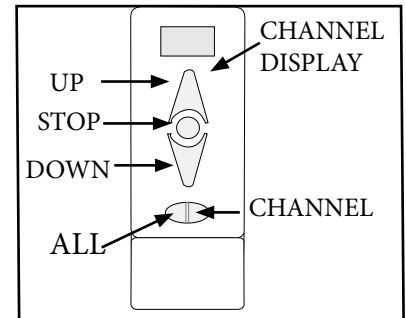
If the wire is not long enough to reach, optional 48" extension wires are available.



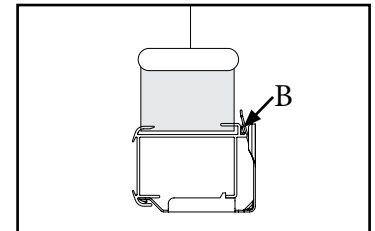
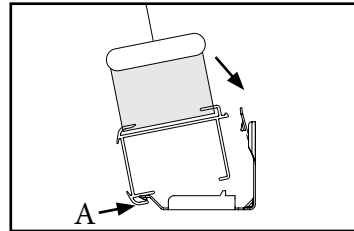
## Step 6: Install Bottom Rail

Select the desired channel with the "Channel" key. The right side of the key will scroll through the channel selections. The left side of the key will jump to the all function. The selected channel will show in the display window.

Press the "Down" key to lower the shade.



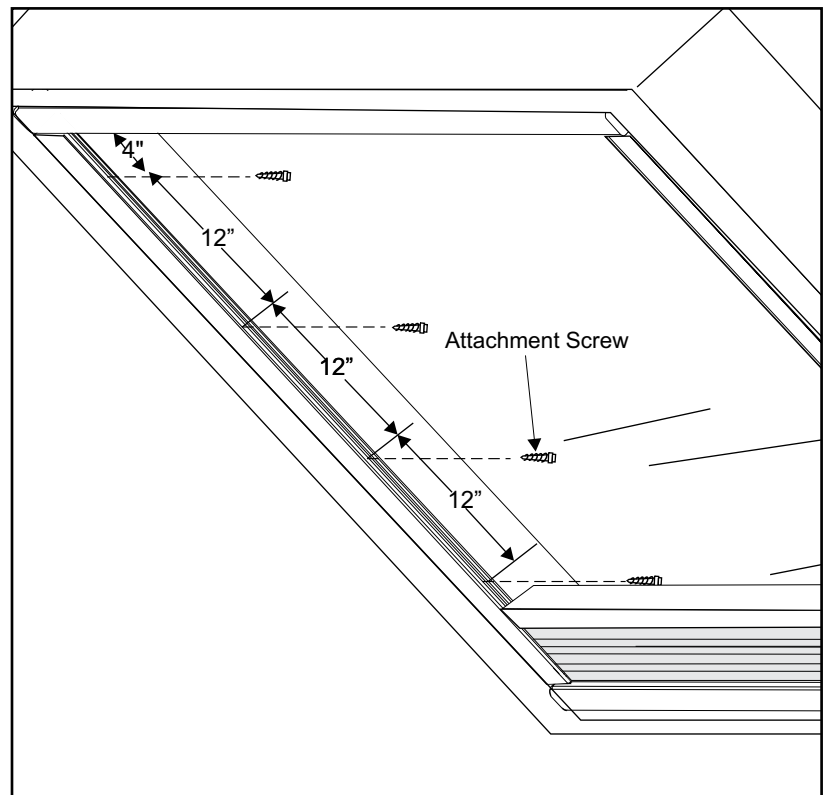
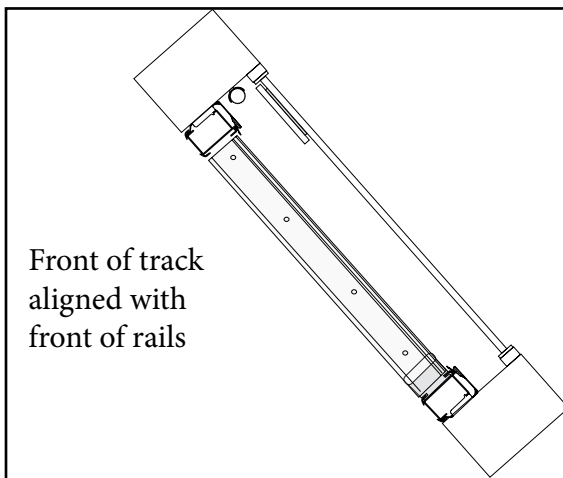
Position the rail with the front lip (A) resting on the hooks of all the brackets. Push the rail firmly down and toward the window until the groove on the rail snaps into place, (B) as shown.



## Step 7: Install Tracks

Align the front of the track with the front of the top and bottom rails. Attach the track with the screws provided. Space the screws no more than 12" apart.

Follow the same procedure for the other track. Make sure that the 2 tracks are parallel to each other.

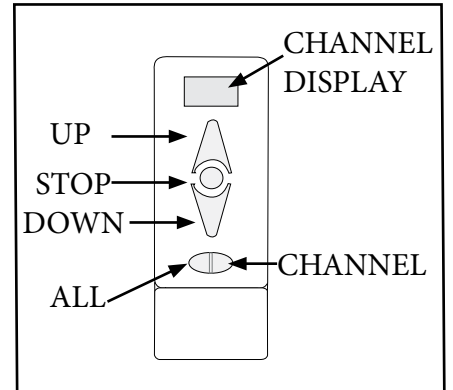


## Step 8: Test Operation

Select the desired channel with the “Channel” key. The right side of the key will scroll through the channel selections. The left side of the key will jump to the all function. The selected channel will show in the display window.

Press the “Up” or “Down” keys to raise or lower the shade.

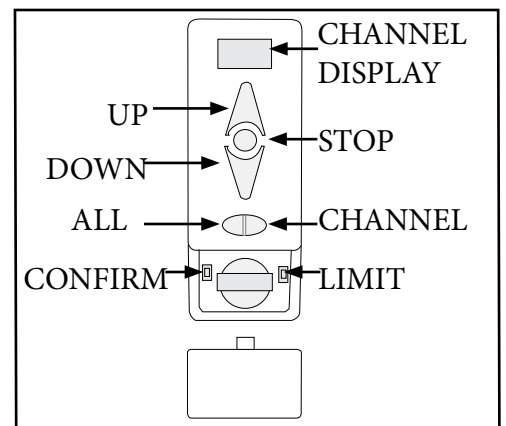
Press the “Stop” key to stop the shade anywhere along the travel.



## Step 9: Adjust Limits on Primary Remote

The lower and upper limits have been set at the factory. If you need to make adjustments to the limits, follow the instructions below.

Use the “channel” key to select the channel for the shade that needs to be adjusted. Then follow the directions below. If only adjusting one shade on a channel, unplug the other shades.



### A. Set Lower Limit

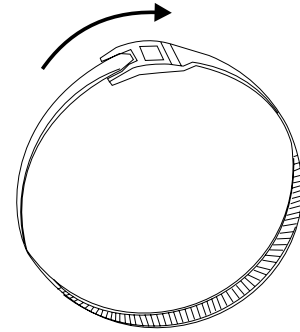
	Operation	Result
1	Hold “limit” key for 6 seconds	The motor begins to jog
2	Release the key when jogging stops	The motor is ready for limit setting
3	Press “Down” key	The motor will go down continuously
4	When the motor is close to the endpoint of the lower limit, press “Stop” key on the remote	The motor stops running
5	Press either the “up” or “Down” key	The motor runs step by step to adjust lower limit accurately
6	Confirm the setting by pressing the “Confirm” key on the remote	The motor jogs and the setting is completed

### B. Set Upper Limit

	Operation	Result
1	Press “Up” key on the remote transmitter	The motor will go up continuously
2	When the motor is close to the endpoint of the upper limit, press “Stop” key on remote	The motor stops running
3	Press either the “Up” or “Down” key	The motor runs step by step to adjust upper limit accurately
4	Confirm the setting by pressing the “Confirm” key on the remote	The motor jogs and the setting is completed

## Step 10: Manage Wires

Use the included cable ties to bundle any excess wires.



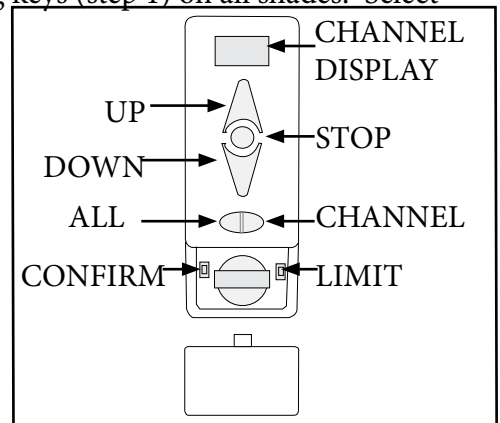
## Trouble Shooting

Problem	Solution
The motor does not work and the shade is stuck in the closed position.	Carefully pull down on the moving rail enough to allow access. Follow solution below. If this is required, limits will need to be reset. See step 9 for setting limits.
The motor does not work	<ol style="list-style-type: none"> <li>1. Check that the power source and motor are connected properly</li> <li>2. If using a battery wand - confirm that the batteries are fresh</li> <li>3. If using a solar panel - be sure that the panel is facing the sun</li> <li>4. If using a solar panel - there may have been a high draw (operating shade often) with limited sun exposure (multiple cloudy days). If this happens a DC charger may be purchased to give the rechargeable batteries in the battery wand a boost. Contact your dealer for a charger</li> <li>5. If using a solar panel and the batteries will no longer take a charge, the batteries can be replaced with 10 pcs. of Ni-MH AA 1800mAh 1.2 Volt Rechargeable Batteries</li> </ol>
The motor continues to run in one direction	The limit setting was unsuccessful and needs to be reset
The motor stops working or works intermittently	If using a battery wand, replace the batteries in the wand with 8 fresh AA alkaline batteries
The indicator light on the remote does not shine or the remote-controlling range becomes shorter	Replace the battery in the remote (CR2032 Lithium)

### Replace original remote or add additional remote

1. Remove the shade from the window. Press the “Setting” key on the motor until the shade jogs once. Release the button immediately after the first jog - this should be not more than 3 seconds.
2. Repeat this step for all shades that will be controlled by a single channel .
3. Select the channel that you want to program using the “Channel” selector key.
4. Press and hold the “Confirm” key until the shade(s) jogs once.
5. Repeat steps 1-4 to program the rest of the channels on a multi-channel remote.
6. To set the All function on the multi-channel remote, activate the setting keys (step 1) on all shades. Select Channel “AL” and then press confirm.

Please note: You will not be able to adjust the lower or upper limits with the secondary remote. If the original remote was lost and the limits need to be reset, follow the instructions in the next section.



### Remove a shade from a remote or channel and link it to a different remote or channel

A. Unlink the motor from the remote - Note: this step also erases the lower and upper limits.

1. Remove the shade from the window. Press and hold the “Setting” key for 8 seconds. The motor will make a series of jogs.
2. Release the “Setting” key. The original remote or channels have been unlinked.

B. Link the motor to the new remote or channel

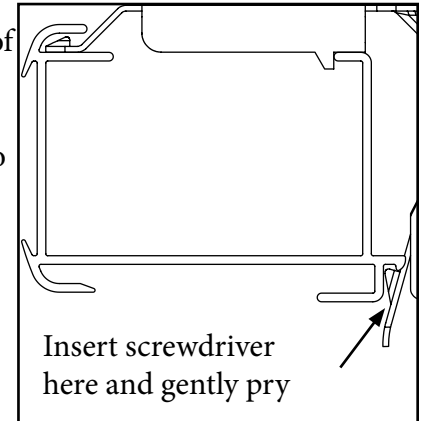
1. Follow the steps for replacing the remote above.
2. Set the lower and upper limits by following the instructions on page 3.

## Shade Removal

To remove a shade, insert a screwdriver between the rail and the bottom back of the bracket (tab which extends out slightly from each bracket).

Gently pry the screwdriver to release the bracket from the rail. Take care not to damage the painted finish of the rail.

As you release the brackets, support the rail to keep it from falling.



## Cleaning and Care

The Shade fabric is easy to care for. Regular dusting with a feather duster or vacuum cleaner brush is recommended. Most stains can be blotted with a damp sponge and mild detergent. Before using anything stronger than mild detergent and lukewarm water, test an unobtrusive corner of the shade. If you have any questions, call your dealer for advice.